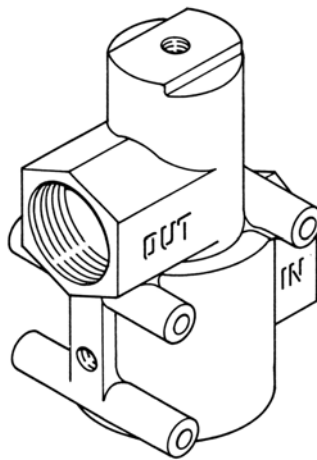


ILLUSTRATED PARTS BREAKDOWN



TURBO VALVE

(Pneumatically Controlled)

AN 01-454

RJ Mann & Associates Inc.
Engine Controls & Panels/Compressor Parts
860 North 9th Avenue, Brighton, CO 80603
Ph: (303) 659-5139 Fax: (303) 659-5309
www.rjmann.com

TOP ASSEMBLY PART NUMBERS COVERED IN THIS PUBLICATION

PART NUMBER	IN PORT	OUT PORT	O-RINGS	OVERHAUL KIT
RLVA-25683-001-1	1 ¼"	1 ¼"	Buna-N	2-26119-001
RLVA-25683-001-2	1 ¼"	1 ¼"	Viton	2-26119-002
RLVA-25683-001-1-01	1 ½"	1 ½"	Buna-N	2-26119-001
RLVA-25683-001-2-01	1 ½"	1 ½"	Viton	2-26119-002

KEY NO.	DESCRIPTION	PART NUMBER
1	Housing, Relay Valve (1 ¼" NPT)	2-25764
1	Housing, Relay Valve (1 ½" NPT)	2-25764-001
2	O-Ring, Buna - N	9-90001-221
2	O-Ring, Viton	9-90002-221
3	O-Ring, Buna - N	9-90031-324
3	O-Ring, Viton	9-90030-324
4	Piston	2-25694
5	Dampener, Shock	2-25107
6	Cap, O-Ring	2-25106
7	Spring, Compression	9-90435
8	O-Ring, Buna - N	9-90001-218
8	O-Ring, Viton	9-90002-218
9	End Cap	2-25693
10	O-Ring, Buna - N	9-90001-035
10	O-Ring, Viton	9-90002-035
11	Ring, Retaining	9-92001-016

TDI TURBOVALVE™
FROM TECH DEVELOPMENT INC.

